



Block chain-based Secure Large Information Storage on Cloud

Dr.B.Naga lakshmi¹ Dr.P.kishore², Dr B. Ratnakanth³ Dr.P.Prasana Murali Krishna⁴, A. Sneha
Professor of physics Dept ,Sri indu Institute of Engineering and Technolgy,Hyderabad,India
Assoc professor VNRVJIET,Hyderabad,India

Assoc professor of CSE Dept ,Boji Reddy Engineering college for Women Santhosh nagar,Hyderabad
Professor of ECE Dept,KITS, Markapur,Andrapradesh

Assistant professor of ECE Dept,TKR college of engineering and Technolgy HYderbad
Snehareddy22cvr@gmail.com,kishore_p@vnrvjiet.in,bratnakanth@gmail.com,bnlhyd@gmil.com,
pprasannamurali@gmail.com

Abstract:

In the crypto currency era, Block chain is single as regards the rapid rising information technologies with the intention of assist during provide safety to the information. Information interfere and validation problems generally take place in central servers while allocation and stowing the information. Block chain provides the place for large information and cloud deposit in increasing the safety by eluding from destructive users. In this document, we have discussed the meticulous explanation of block chain and its requirement, Characteristics and Uses. Study of block chain is prepared for dissimilar domains such as large information, cloud, internet of belongings and movable blur where the different V's be compare with large information in addition to block chain. The survey in aspects of information safety, information storage, and information distribution and information verification through block chain automation be complete plus the summons be discuss to conquer difficulty that conducts large information. The full relative investigation shows so as to block chain knowledge conquers difficulties in large information storage and information safety in cloud.

7858

Keywords: block chain, cloud, information safety

DOI Number:10.14704/nq.2022.20.8.NQ44810

NeuroQuantology 2022; 20(8): 7858-7861

I. INTRODUCTION

The hasty expansion of in sequence technology in safety, block chain lead main role in the time when it undergo de centralized squint to squint structures. Block chain automation be a spread community achieves [1] where it traces all proceeding particulars clench, to avoid intermediary and it provisions the massive sum of records inside solitary block and it too provide additional safety for information by hash technique wherever records thrashing may not occur. Blocks are organized to outline a sequence organization in the direction to frame block chain knowledge where each chunk has both cannabis worth and previous hash. Blocks are deep rooted by the foregoing canna-

bis [2] by the cannabis worth of preceding block and it help in identifies if the block is malevolent or not. Information inside block chain undergo fixity characteristics where on one occasion the fact is modernized hooked on the chunk, it could not exist changeable so information changes will not occur. Blocks are open access to the user connected to the block chain network in which the user information is not open. Block chain maintains consensus algorithm such as proof of work and proof of stake to store sensitive information. Large information and cloud undergo some issues in safety, storage, sharing and authenticating the information. Block chain based research challenges are identified to resolve the issues. This document



has contributed the analysis of the block chain network in [6] large information storage and cloud safety.

II. RECORD OF BLOCK CHAIN NETWORK

Installed business proceeding techniques help to transfer the cash where it is made easy to use devices like Mobile, IOT devices by keeping away personal contact with the bank. Every installed cash transfer is

maintained secretly, even cyber punk hack the proceeding details of the user. Block chain technology helps in provides safety to the B Pay for the fair contract and no cash is detected from the user. The record of block chain is depicting in fig1.



Fig1.History of Block chain

III. REQUIREMENT OF BLOCK CHAIN

A. High Proceeding Fee

Centralizer takes an action to transmit between dispatcher and recipient. Think about a proceeding wherever dispatcher transmits cash recipient where the arbiter, so much to treasury to enormous matter bill to bear out a contract detail plus will store and planned through a third party.

B. TWOFOLD EXPENDITURE

Double spending is a major problem is arise whereas installed cash proceedings inside this happen

as client send cash to two beneficiary with no shrewd sum with the intention of financial credit. figure 2 show with reference to an installed proceeding wherein the consumer A has two data processing machine remainder, A relocate two data processing machine remainder to consumer B (there is some problem in proceeding) and another time A transfers for a second time individuals two data processing machine remainder to consumer can do n the twofold expenditure occur.

7859

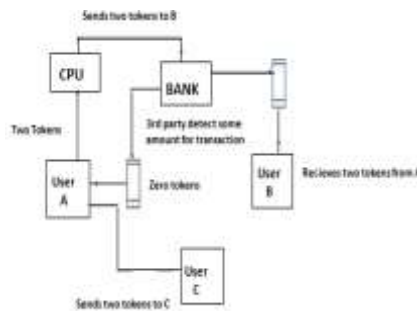


Fig2.DoubleSpendingProblem

C. Net Frauds

Illegal persons are able to filch particulars of consumer although installed proceeding throughout net banking when all third-party intermediaries follow centralizers. Information lost is simply chopped by the cyber punk. In internet world data manipulations and it's hacking mainly done by the cyberpunks. Data changes plus Information messing possibly will happen while information distribution from beginning to end the cyber space.

Information healing is a benefit designed for the consumer to add the mislaid information wherever inside centralized server, information whipping can take place repeatedly whilst allotment of information.

IV.BIT COIN VS BLOCK CHAIN

Bit coin is solitary of the data processing machine currency where it transfers and receives cash transverse centered peer to peer system. Proceeding fees in bit coin are least [3], when compared to other third-party intermediaries such as banks and public sectors..



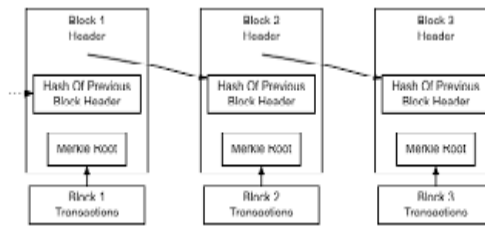


Fig3.Overview of Blocks in a Block chain

Every block in block chain has both cannabis concentrate product and previous a cannabis concentrate product worth where cannabis concentrate product consist alphanumeric value to identify the block in block chain. The primary chunk of the chain is named as genesis chunk where the look after chunk does not have the cannabis concentrate product worth is denoted in fig4.



Fig4.Genesis Block

V. BLOCK CHAIN IN DIFFERENT DOMAINS

Block chain network is associated with the ‘n’ number of miners who mine the proceeding.

A. Block chain in Large Information

Large information deals with the huge amount of information and it obeys the four V’s such as velocity, veracity, volume and variety [5]. Information consumption of user increases day by day in which large volume of information increases an elasticity problem arises this decreases the performance of the system where block chain performs ‘n’ number of proceedings at one chunk in large information. The information transformation speed depends on time. When transferring large information then speed of transformation is going to be reduced to overcome this we need to use chunks .Chunks will convert the large information into small blocks and which improves the rapidity of data. Speed is major role to estimate the accuracy of information. Block chain finds veracity trouble by substantiate every chunk through the help out of cannabis worth where malevolent information and user is detached even as pulling out the chunks. Block chain stores incredible amounts of information in one single block such as ‘n’ of proceedings or huge volume of information. Elasticity problems will occur while loading the large information.

B. Block chain enumeration

Digital payment is a thin client and enterprise level eISSN1303-5150

common assets it will access at everyplace. [4]. amalgamation of chain with confuse solves the cargo space copy in chain and it provide towering safety toward information.

C. Block chain in Internet of Things

Cyber space of possessions is a machine which sanity information of diplomacy with an additional connected by means of the cyber space through agitated or wireless [7]. Combination of infrastructure among block chain gives large safety to the perceptible information .It help in as long as the security and time alone to the information.

D. Block chain in Adaptable device enumeration

Adaptable device enumeration is most well-liked automation where people work together with another person from first to last the machine and its application lets say descriptions, video sand papers will be stored in the dim. Implementing mobile cloud using block chain upgrades safety used for the movable information.

VI. BLOCK CHAIN BASED SAFETY

Block chain is communal spread book in which it will manage the absolute characteristic anywhere every chunk is linked to structure a block chain system by compromise algorithm. Pitman in the arrangement extract information where block chain help in on condition that safety to [8] the obscure information.



It will provide storeroom space for the information as well as block chain technology also helps in distribution , authentication of the information by maintain privacy.

VII.CONCLUSION

This paper explored the block chain technology safety chance for large information in the cloud. While analyzing large information; safety and confirmation are look over and block chain overcome. The block chain system analyzed and addressed the research challenges to avoid information tampering. Block chain provide safety to the large information in the cloud for sharing and authentication of information which resolve the storage space problem in cloud.

IX. REFERENCES

1. JinHoPark, and Jong HyukPark (2017), 'Block chain safety in cloud enumerating: Use cases, challenges, and solutions', *Symmetry*, No. 9(8),pp.164-177.
2. Turesson H.,RoatisA.,Las kowskiM. And KimH. ,(2019). 'Privacy-Pre serving Block chain Mining: Sybil-resistance by Proof-of-Useful-Work', ar Xiv pre print, ar Xiv:1907.08744.
3. <https://bitcoin.org/bitcoin.pdf>
4. Ali Dorri, Salil S. Kanhere, Raja jurdak and Praveen Gauravaram (2019), 'LSB: A Light weight Scalable Block chainforIoTsafetyandanonymity', *Journal of Parallel and Distributed Computing*, Vol. 134,pp.180-197.
5. Ana Reyna, Cristian Martín, Jaime Chen, Enrique Soler. and ManuelDíaz (2018), 'On blockchain and its integration with IoT Challenges and opportunities', *FutureGenerationComputerSystems*,88,pp.173-190.
6. Dipankar Dasgupta, John M.Shrei nand Kishor DattaGupta,(2019),'A survey of block chain from safety perspective', *Journal of Bankingand FinancialTechnology*,No.3(1),pp.1-17.
7. Francesco Restuccia, Salvatore D'Ore, Salil S.Kanhere , Tomma so Melodia and Sajal K. Das (2019), 'Block chain for the Internet of Things: Present and Future', arXivpreprint,arXiv:1903.07448.
8. Mangia M.Marchioni A.,Pareschi F.,Rovatti R.and Setti G.,(2019), 'Chained Compressed Sensing : ABlock Chain-inspired Approach for Low-cost Safety in IoT Sensing', *IEEE Internet of Things Journal*.
9. Chunci Liu, Yinhao Xiao, Visheshjavangula,Qin Hu and ShenglingWang(2018), 'Normal Chain: A Block chain- basedE-commerce', *IEEE Internet of Things Journal*, Vol. 6, NO. 3, JUN2019

